

## Parts List

Item No.	Part Number	Description	Qty
1	PST3000100	Main Frame	1
3	PST3000300	Left Swing Frame	1
4	PST3000400	Right Swing Frame	1
5	PST3000500	Left Pedal Frame	1
6	PST3000600	Right Pedal Frame	1
7	PST3000700	Upright	1
8	PST3000800	Console Handle	1
10	PST3001000	Bearing Cover	2
11	PST3001100	Connecting Rod	2
12	PST3001200	Tightener	1
13	PST300B1300	Chain Wheel Axis	1
14	PST3001400	Guiding Wheel	2
15	PST300B1500	Left Chain Wheel	1
16	PST300B1600	Right Chain Wheel	1
17	PST3001700	Pull-Back Spring	2
18	PST300B1800	Space	2
19	PST3001900	Connection Shaft	1
20	PST3002000	Left Handle	1
21	PST3002100	Right Handle	1
23	PST3002300	Connecting Frame	2
24	PST3002400	Space	2
25	PST3002500	Chain Axis	2
27	PST3002700	Left Pedal	1
28	PST3002800	Right Pedal	1
29	PST3002900	Pedal Foaming	2
30	PST3003000	Pulley 1	1
31	PST3003100	Pulley 2	1
32	PST300B3200	Space	2
33	UP205	Pillow Block	2
34	AC3170B5200V1	Bumper	2
35	PST3003500	Right Cover	1
36	PST3003600	Left Cover	1
37	B4005400	Pull-Back Spring	1
38	DXD360J16A	Belt 360J16	1
39	DXD300J8A	Belt 300J8	1
40	CG3000P1707V1	Washer	4
41	SVTW0100	Fix Screw Cap	5
42	B4001600	Endcap With Wheele	2
43	ASCENT2900	Adjust Feet	1
44	PST3004400	Pedal Axis	2
45	PE3001200	Rubber	2
46	PST3004600	Connecting Rod Axis	1

## Parts List

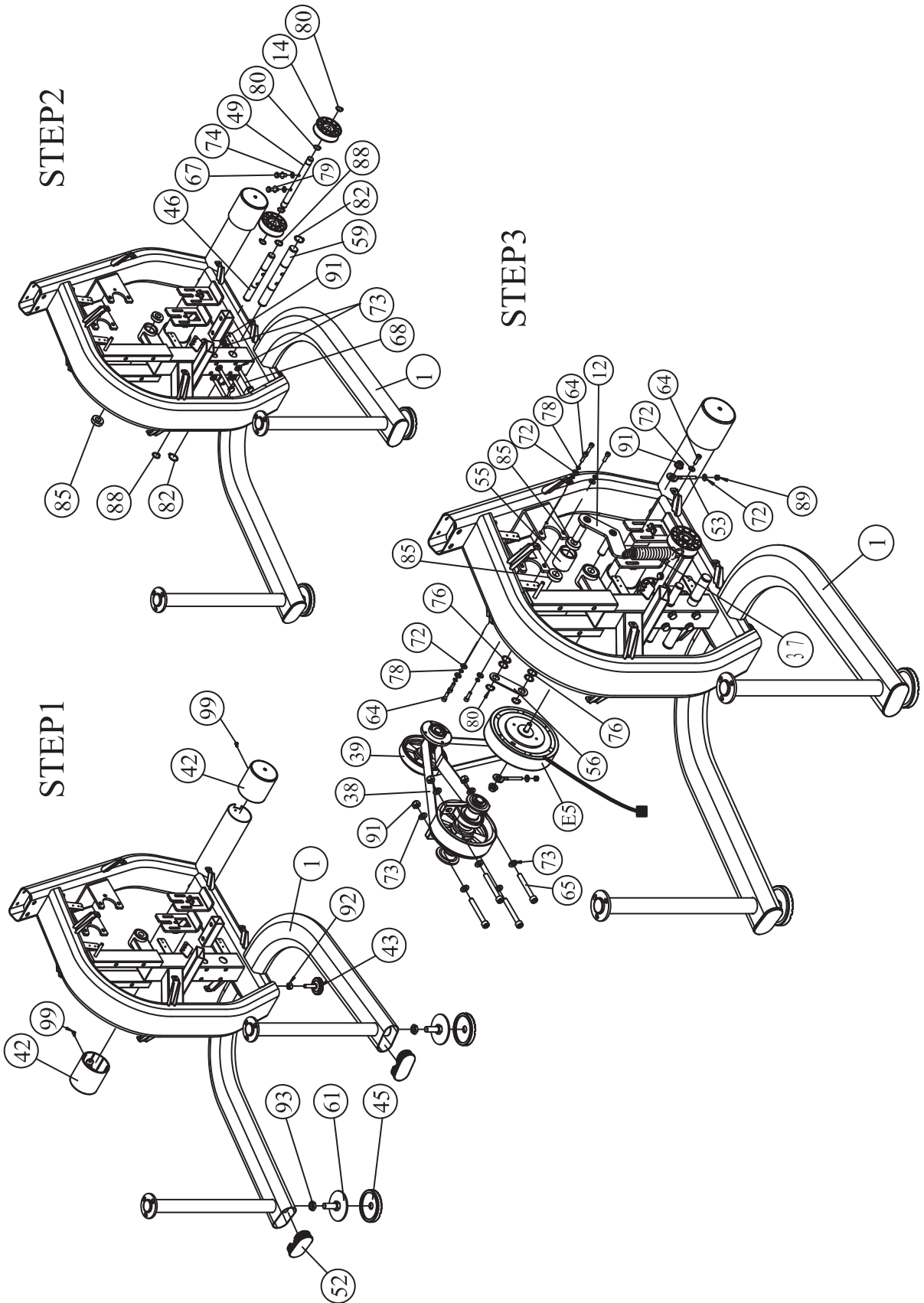
Item No.	Part Number	Description	Qty
47	IR40014100	Copper Bush	6
48	B4007000	Key 6*6*14.3	2
49	PST3004900	Guiding Wheel Axis	1
50	PST3005000	Space	2
51	PST3005100	Space	2
52	IT90013800	Ellipse Stopper	2
53	B1800CEC-Q8800	Tightening Bolt	2
54	PST3005400	Chain	2
55	PST30005500	Tightener Wheel	1
56	PST3005600	Connecting Board	1
57	PST3005700	Connecting Axis	2
58	PST3005800	Cover Regular	2
59	PST3005900	Swing Axis	1
60	PST3006000	Bumper	2
61	PE3000900	Adjust Frame	2
64	GB70M6*20*20DS4	Socket Head Cap Screw M6*20	7
65	GB70M10*80DHS20	Socket Head Cap Screw M10*80	4
66	GB70M8*20N19	Socket Head Cap Screw M8*20	12
67	GB5781M8*30DS2	Hex Head Bolt M8*30	2
68	GB5780M10*75*75DS20	Hex Head Bolt M10*75	4
69	CNLM6*16N19	Flat Head Cap Screw M6*16	8
70	GB954DS2	Washer $\Phi 4.5*\Phi 9*0.8$	6
71	DQ25DS2B	Washer $\Phi 32*\Phi 25.5*1$	4
72	DQ6DS2A	Washer $\Phi 6.6*\Phi 15*2$	9
73	GB9510DS2	Washer $\Phi 11*\Phi 20*2.0$	20
74	GB958DS2	Washer $\Phi 9*\Phi 16*1.6$	2
75	DQ16DS2	Washer $\Phi 17*\Phi 30*2.5$	2
76	DQ17DHS2	Washer $\Phi 17.2*\Phi 23*0.35$	6
77	DQ20DHS2A	Washer $\Phi 20.2*\Phi 25*0.35$	14
78	GB936DS12	Spring Washer $\Phi 6$	6
79	GB938N22	Spring Washer $\Phi 8$	12
80	GB894.117FH12	Shaft Clip $\Phi 17$	8
81	GB894.120FH12	Shaft Clip $\Phi 20$	2
82	GB894.125FH12	Shaft Clip $\Phi 25$	6
83	GB893.135FH12	Bore Clip $\Phi 35$	2
84	PBE10008	Space	4
85	NBK6003-2Z	Bearing 6003-2Z	6
86	NBK6004-2Z	Bearing 6004-2Z	4
87	NBK6005-2Z	Bearing 6005-2Z	4
88	GB894.119FH12	Shaft Clip $\Phi 19$	4
89	NM6DS2	Nut M6	2

## Parts List

Item No.	Part Number	Description	Qty
90	NM8DS2	Nut M8	10
91	NM10DS2	Nut M10	12
92	GB41M10DS2	Hex Nut M10	1
93	GB6172.1M16DS2	Hex Nut M16*8	2
94	GB818M4*12DS20	Screw M4*12	10
95	B306700	Screw Clip	10
96	GB845ST4.2*19DHS	Screw ST4.2*19	10
99	GB819M5*12DHS2	Screw M5*12	2
104	X05	Hand Pulse	2
105	X05-PST-01	Hand Pulse Cap	2
E1	C58H-PST	PCB	1
E2	L1050XHP/SMP-5-6	Bottom Harness	1
E3	08-0077	Magic Ring	2
E4	IB400DZX870/750H	R Line	1
E5	D43-PST	Magnctic Force	1
E6	DQR400W10-2	Power R	1
E7	GB934DS12	Spring Washer $\Phi 4$	2
E8	GB818M4*10DS2	Screw M4*10	2
E9	GB41M4DS2	Hex Nut M4	2
E10	DQ4DS2	Washer $\Phi 4.5 * \Phi 12 * 0.8$	4
E11	F50A	Right Handle Adjusting Line	1
E12	F51A	Left Handle Adjusting Line	1
E13	L800SMP	Left Adjusting Line	1
E14	L800SMR	Right Adjusting Line	1
E15	L700SMR/DR2	Handle Pulse Line 2	2
E21	07-0092H	Hand Pulse Circuitry Board	1
E22	DQXTJS01	Heartbeat Receiver	1
E23	L350XHP/XHP-3	Handle Pulse Line To Console	1
E24	L600SMP/DC2	Handle Pulse Line 1	2
E25	CG500023200	Space	4
E26	GB845ST2.9*16DS	Screw ST2.9*16	4
E27	PST300MM01NX	Console Cover	1
E28	L1000XHP/SMP-12A	Upper Harness	1
E29	L600SMR/SMP/XH-3	Adjusting Line	1
E30	PU300DZB01	Up Shell Of Console	1
E31	PU300DZB02	Bottom Shell Of Console	1
E32	PU300DZB03	Circuit Board Frame	1
E33	B83-PST-CH	Circuit Board	1
E34	PR3003000	Support Pillar	4
E35	GB845ST3.5*16DHS	Screw ST3.5*16	13
E36	GB845ST2.9*9.5DHS	Screw ST2.9*9.5	11

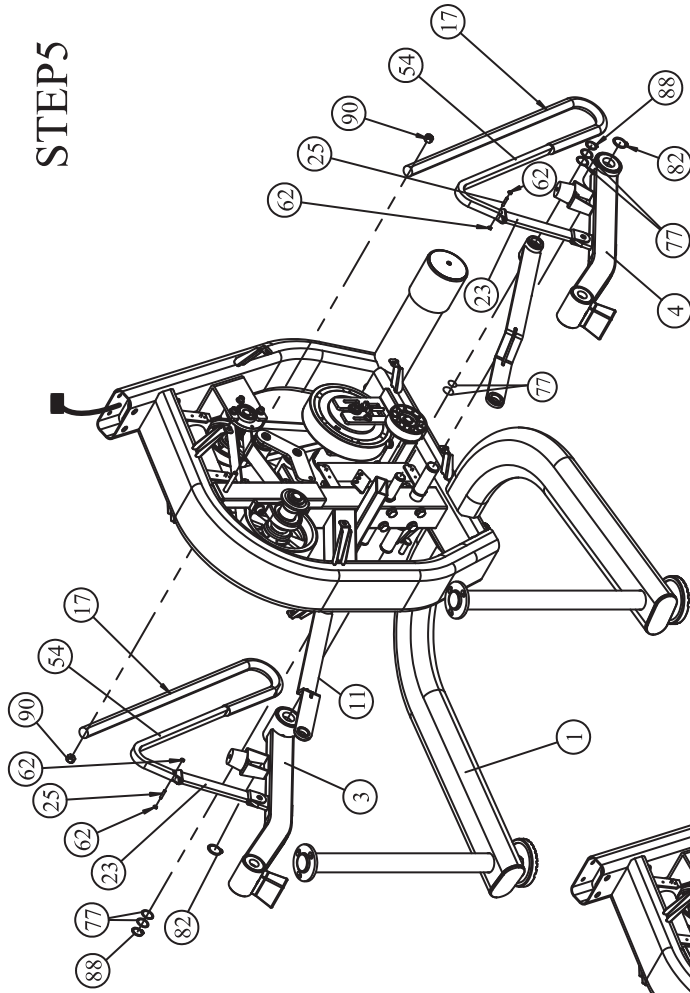


# Exploded View

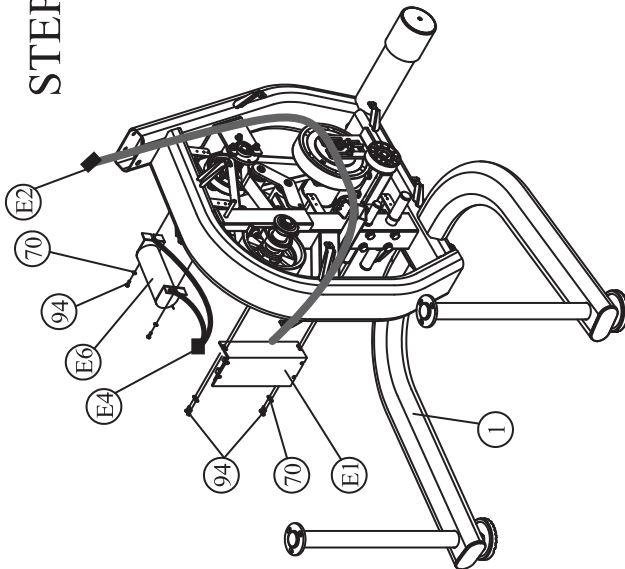


# Exploded View

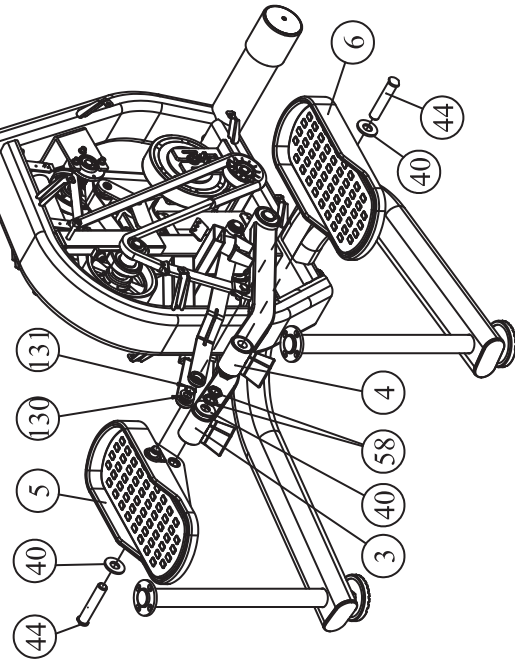
STEP5



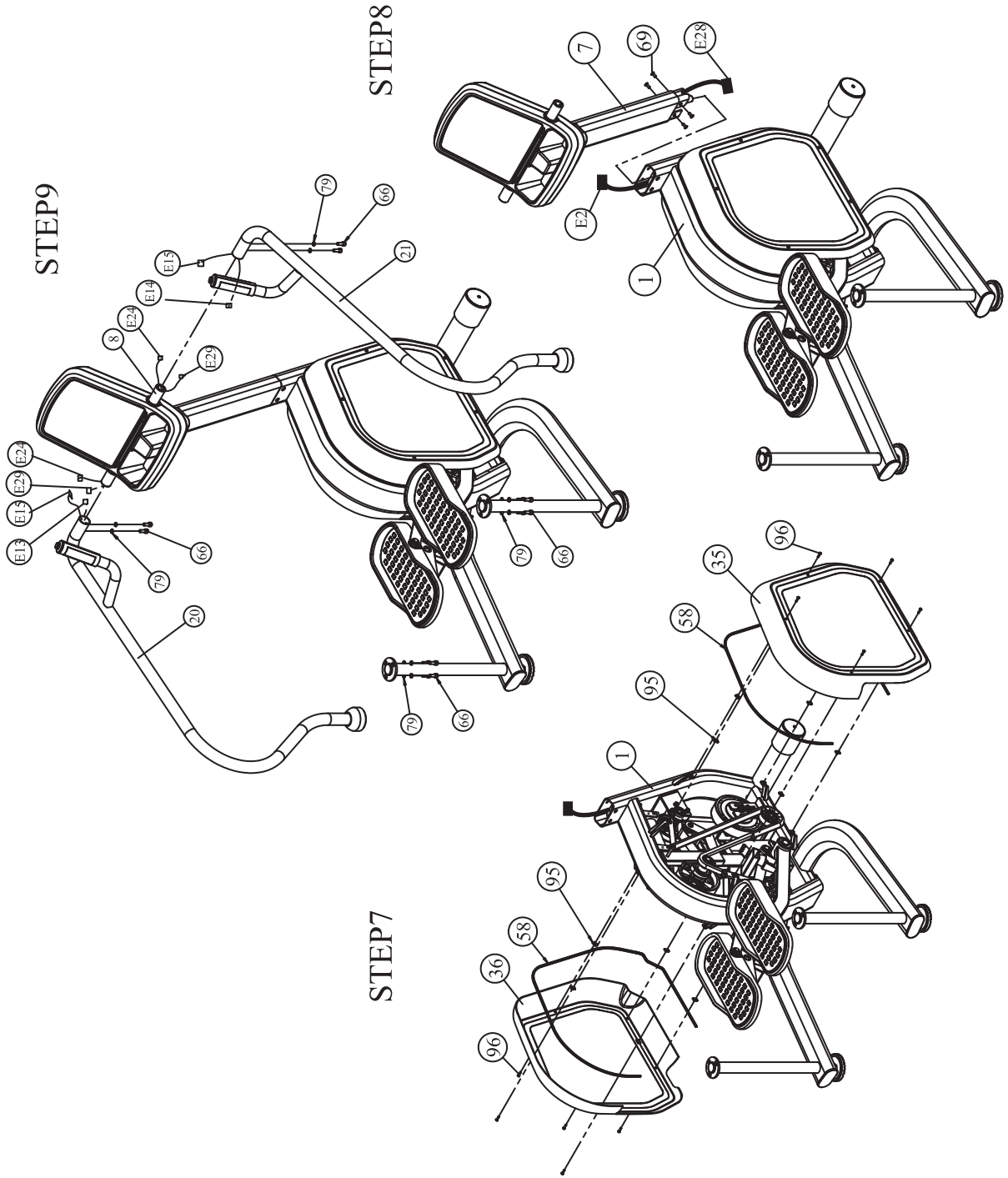
STEP4



STEP6



# Exploded View



# Exploded View

